



Crystal Oscillators

SP-OCXO/7050/16pin SMD/±100ppb/-40~+85°C
19.000MHz/3.3V/AS019000HA

Description

AS019000HA is Oven Controlled Crystal Oscillator (OCXO) of the SMD 7×5mm package. OCXO Series can be output to 10-160MHz by Operating Voltage:3.3V(Oscillation) and 3.3V (Oven Heater:0.33w)in the heaterpower supply. As for the frequency stability level, ±100ppb is -40~+85°C possible.

Feature

- 7×5×1.85mm SMD 16pin PKG
- Frequency stability:±100ppb/-40~+85°C/3.3V±5%
- Frequency short term stability:Warm up/1min
- Low Jitter:≤1psec RMS
- Excellent aging characteristics:±500ppb/Y/30days
- Low power consumption:3mA/3.3V,90mA/3.3V(Heater)
- Operating temperature : -40~+85°C

Applications

- Mobilephone Base station
- Measuring instrument
- Exchanger
- High-end router

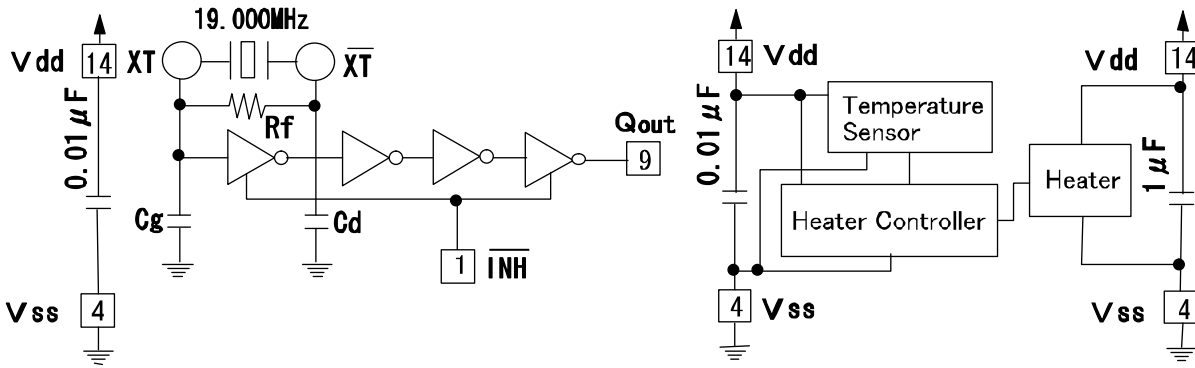
Product Number: AS019000HA

AS	01900	O:Function Series	H:Package	A:Version
Compy Code	Frequency 19.000MHz (6~160MHz)	O:SMD SP-OCXO	16Lead SMD:7×5×1.85mm	A:-40~85°C ±100ppb,3.3V (0.33W)

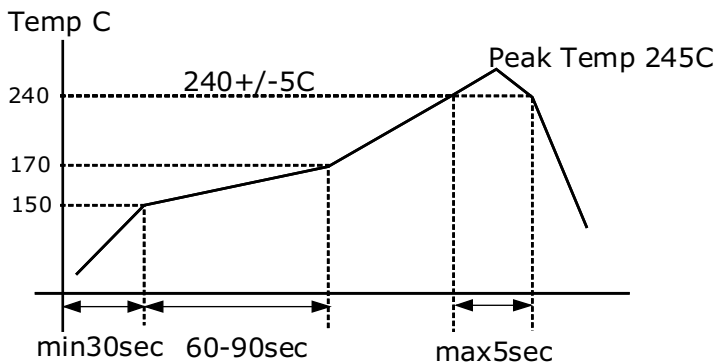
Specifications

ITEMS	TYPE	AS019000HA
Output Frequency:		19.000000MHz
Frequency Stability		±100ppb:-40 to +85°C/V _{dd} =3.3V±/-5%
Initial frequency tolerance		±500ppb;V _c =1.65V/shipment
Initial supply voltage tolerance		±10ppb;V _{dd} =3.3V±5%
Initial load change tolerance		±10ppb;V _{load} ±5%
Initial aging tolerance/day		±5ppb:after 30 days of operation
Initial aging tolerance/year		±250ppb:after 30 days of operation
Warm-up time		30sec.to ±100ppb/final frequency/1 hour after/25°C
Operating Temperature Range		-40 to +85°C
Storage Temperature Range		-50 to +90°C
Power Supply Voltage/Oscillation		3.3V±5%
Power Supply Voltage/Oven heater		3.3V±5%
Power Consumption/Oscillation(No load)		Typ:3.0mA/3.3V,Max:5.0mA/3.3V
Power Consumption/Oven Heater		Typ:90mA/3.3V,Max:120mA/3.3V
Input Level		Min:V _{IH} :+0.9V _{dd} , Max:V _{IL} :+0.1V _{dd}
Output Level/CMOS		Min:V _{OH} :+0.9V _{dd} , Max:V _{OL} :+0.1V _{dd}
Output Load		15pF
Output Rise/Fall Time		5nsec max(0.3 to 3.0V)/5nsec max(3.0 to 0.3V)
Assembly Temperature Range		Peak Temperature 240°C +/- 5°C for 5 sec max.Maximum Temperature 245°C

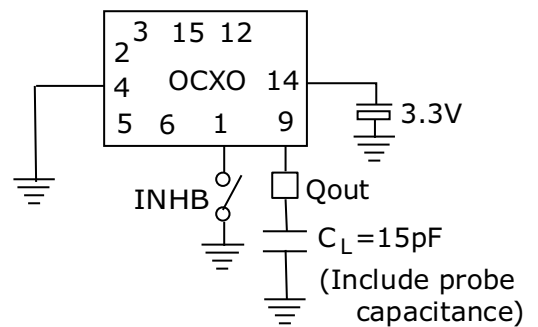
Block Diagram



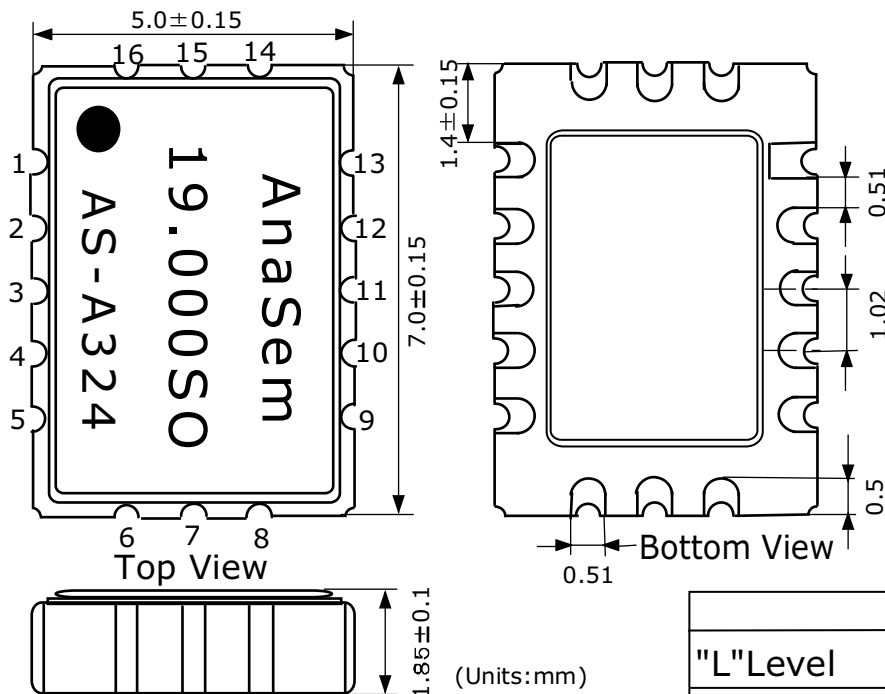
Recommended Reflow Soldering Condition



Measurement Circuit



Dimensions



Pin Connections

1	INH
2	NC
3	NC
4	Vss
5	NC
6	NC
7	NC
8	NC
9	Qout
10	NC
11	NC
12	NC
13	NC
14	Vdd
15	NC
16	NC

/INHIBIT	
"L"Level	Open or "H"Level
High Impedance	Enable:Output



AnaSem Holdings inc

6-18-12 Maehara Higashi Funabashi Chiba Japan
 TEL+81-47-470-5810 FAX+81-47-470-5825
 Home Page:<http://www.anasemholdings.com>
 E-mail:anasemholdings@gmail.com