

Crystal Oscillators

VCXO/3.3V/SMD/7*5*1.8mm

148.351638MHz/3.3V/APR±50ppm/AS14835VDA

■ 特長

- 周波数可変範囲 : APR±50ppm/V_c=1.65V±1.65V
- 周波数安定度 : ±50ppm/-20~70°C, V_{dd}=3.3V±5%
- 低消費電流 : 20mA/148MHz/3.3V
- 動作電圧範囲 : 3.3V±5%
- 動作温度範囲 : -20~+70°C
- セラミックパッケージ (7×5×1.8mm)

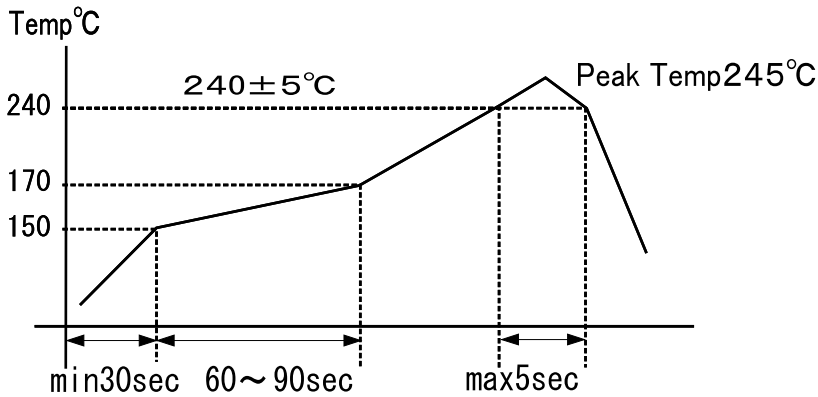
■ Features

- Frequency Deviation Range
- Frequency Stability: ±50ppm
- Low Power Consumption: 20mA/3.3V
- Operating Voltage: 3.3V±5%
- Operating Temperature: -20~+70°C
- Ceramic Package (7×5×1.8mm)

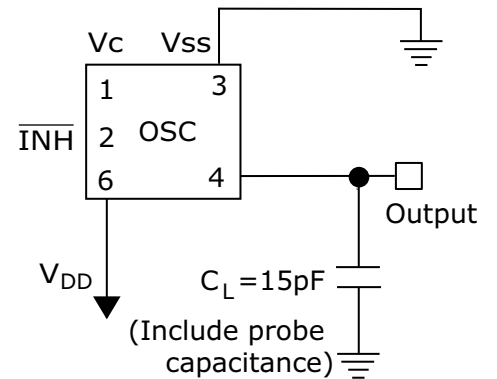
■ 電気的特性 Specifications

| 項目 ITEM | 型名 TYPE | AS14835VDA |
|---|---------|---|
| Output Frequency 出力周波数 | | 148.351638MHz |
| Absolute Pulling Range(=Pullability-Stability) 絶対周波数可変範囲 (=周波数可変幅-安定度) | | ±50ppm min/V _c =1.65V±1.65V |
| Frequency Stability 周波数安定度 | | ±50ppm max/-20~+70°C/3.3V±5% (Initial Deviation) at 25°C included, V _c =1.65V, V _{dd} =3.3V) |
| Frequency Stability/Power Supply Voltage 電源電圧周波数変動 | | ±9.0ppm max/3.3V±5% (Reference at 25°C, V _c =1.65V) |
| Frequency Tuning Voltage Range 公称周波数設定電圧偏差 | | V _t =1.65±0.16V/V ±0.3V/25±2°C |
| Operating Temperature Range 動作温度範囲 | | -20~+70°C |
| Storage Temperature Range 保存温度範囲 | | -40~+85°C |
| Power Supply Voltage 電源電圧 | | +3.3V±5% |
| Power Consumption(No Load) 消費電流 (無負荷) | | typ: 20mA/3.3V, max: 26mA/3.3V |
| Output Symmetry 出力波形対称性 | | 45% to 55% (at 1/2V _{DD}) / 3.3V/25°C |
| Rise Time/Fall Time 立ち上がり、立ち下がり時間 | | 4.0nS max (0.3~3.0V) / 4.0nS max (3.0~0.3V) |
| Output Load 出力負荷 | | 15pF |
| Input Level 入力レベル | | V _{IH} : +3.0V min/V _{IL} : +0.3V max |
| Output Level 出力レベル | | V _{OH} : +3.0V min/V _{OL} : +0.3V max |
| Assembly Temperature Range 実装温度条件 | | Peak Temperature 240°C±5°C for 5seconds max. Maximum Temperature: 245°C |

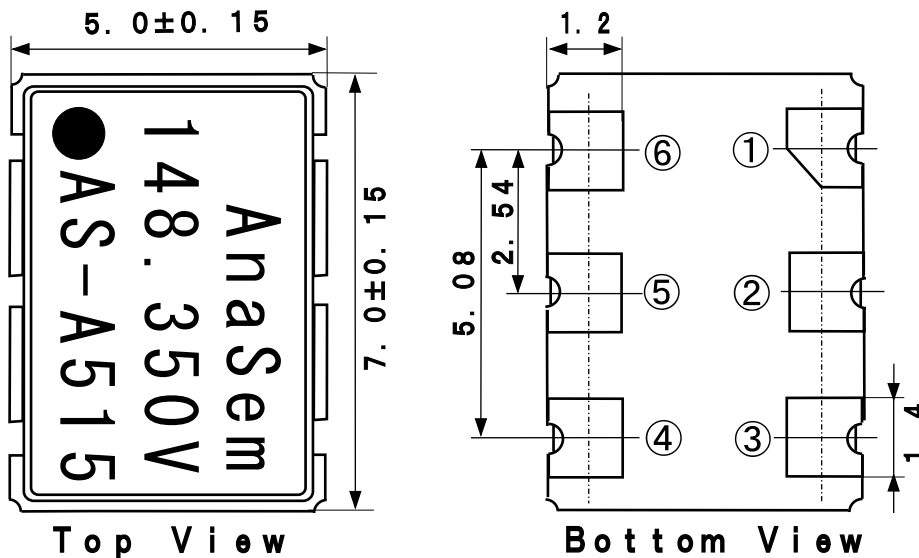
■ 推奨半田付け条件 / Recommended Reflow Soldering Condition



■ 測定回路 Measurement Circuit

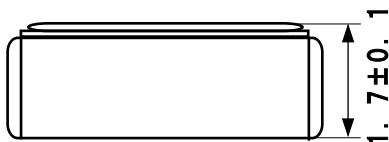


■ 外形寸法 Dimensions



■ 接続端子 Pin Connections

| | |
|---|--------------------------|
| ① | V _c |
| ② | INH |
| ③ | GND (V _{ss}) |
| ④ | OUTPUT |
| ⑤ | NC |
| ⑥ | +3.3V (V _{DD}) |



(Unit: mm)

| / INHIBIT | |
|----------------|-------------------|
| "L" Level | Open or "H" Level |
| High Impedance | Enable: Output |

■ マーキング Marking

AS-A515

↓ ↓ ↓

a b c

| | |
|---|--|
| a | Maker/ID: AS=AnaSem. InC |
| b | Product Version/A: A Version |
| c | Production Week&Year: 515/15th week/2005 |

製造元: アナセムホールディングス株式会社
 Maker: AnaSem Holdings, Inc

〒274-0824 船橋市前原東6丁目18-12
 6-18-12 Maehara Higashi Funabashi Chiba Japan
 TEL (047) 476-2768 FAX 476-2758
 H P: <http://www.anasemholdings.com>
 E-mail: anasemholdings@gmail.com