



Crystal Oscillators

SP-OCXO/16pin7050SMD/fo±1ppm
149.854364MHz/3.3V/AS14985SOB

Description

AS14985SOB is Oven Controlled Crystal Oscillator(OCSPXO) of the 16pin SMD 7×5×1.85mm package. OCXO Series can be output to 10-250MHz by Operating Voltage:3.3V(Oscillation and Oven Heaterw) in the same power supply. As for the frequency stability level, ±1ppm is -40~+85°C possible.

Feature

- 7×5×1.85mm SMD 16pin PKG
- Frequency stability:±3ppm/-40~+85°C/3.3V±5%
- Frequency short term stability:Warm up/30sec
- Low Jitter:≤1psec RMS
- Low Phase Noise:140dB/1KHz,155dB/10KHz
- Low power consumption:150mA/3.3V
- Operating temperature : -40~+85°C

Applications ■ Product Number: AS14985SOB

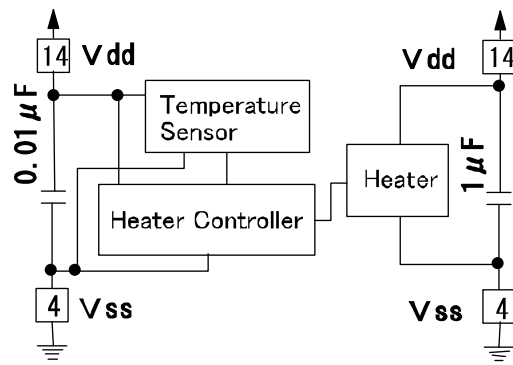
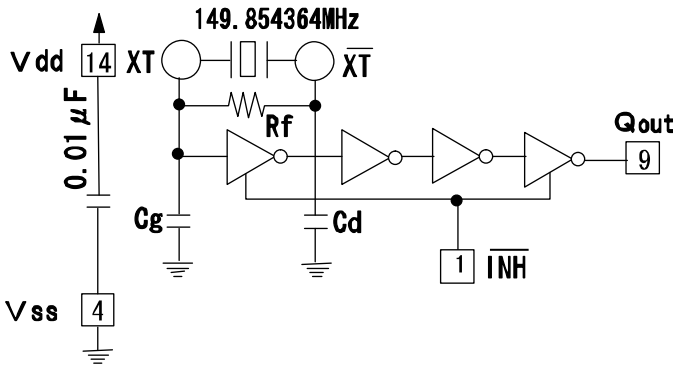
- HDTV-Recorder
- HDTV-Camera
- HDTV-Exchanger
- High Frequency Equip

AS	149.854364	SO: Function Series	Package	B: Version
Compy Code	Frequency 149.854364MHz (6~250MHz)	S: SMD SPXO O: SMD OCXO	16Lead SMD:7×5 ×1.85mm	B: -40~85°C fo±1ppm

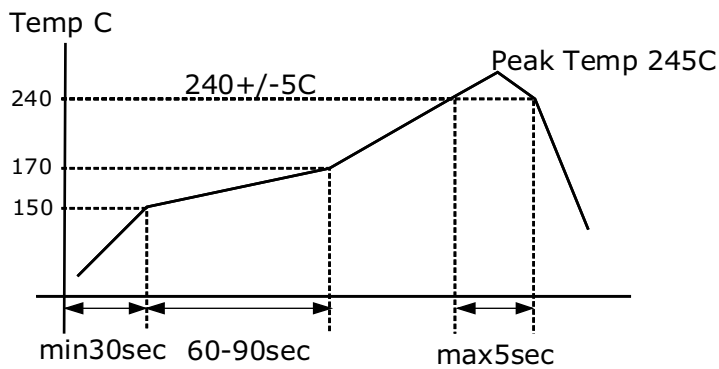
Specifications

ITEMS	TYPE	AS14985SOB
Output Frequency:		149.854364MHz
Frequency Stability/25°C		±1ppm/25°C=3.3V
Frequency Temperature Stability/-40~85°C		±2ppm/-40°C~+85°C/3.3V±5%
Warm-up time		≤30sec.to ±1ppm/final frequency/25°C/3.3V
Phase Noise		Typ:-80dBc/10Hz,-140dBc/1KHz,-155dBc/10KHz
Phase Jitter		Typ:≤125fsec
Power Consumption/Oscillation+Heater		Typ:50mA/3.3V,Max:150mA/3.3V
Power Supply Voltage/Oscillation+Oven heater		3.3V±5%
Operating Temperature Range		-40 to +85°C
Storage Temperature Range		-50 to +90°C
Output Symmetry		45% to 55% (at 1/2V _{DD})/3.3V/25°C
Input Level		Min:V _{IH} :+0.9V _{DD} , Max:V _{IL} :+0.1V _{DD}
Output Level/CMOS		Min:V _{OH} :+0.9V _{DD} , Max:V _{OL} :+0.1V _{DD}
Output Load		15pF
Output Rise/Fall Time		5nsec max(0.3 to 3.0V)/5nsec max(3.0 to 0.3V)
Assembly Temperature Range		Peak Temperature 240C +/- 5C for 5 sec max.Maximum Temperature 245C

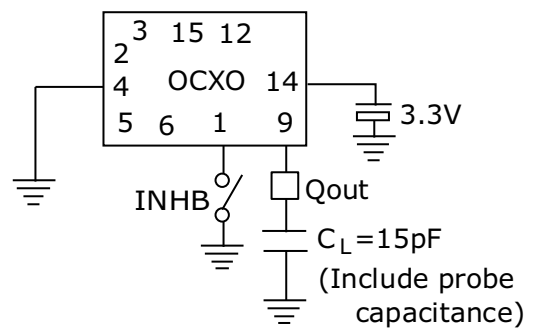
Block Diagram



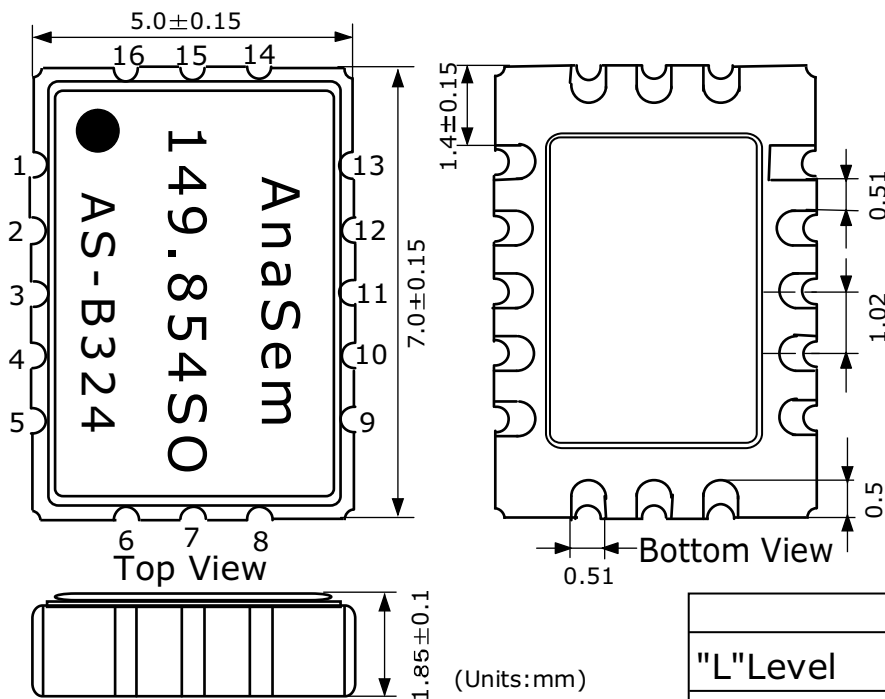
Recommended Reflow Soldering Condition



Measurement Circuit



Dimensions



Pin Connections

1	INHB
2	NC
3	NC
4	Vss
5	NC
6	NC
7	NC
8	NC
9	Qout
10	NC
11	NC
12	NC
13	NC
14	Vdd
15	NC
16	NC

/INHIBIT	
"L"Level	Open or "H"Level
High Impedance	Enable:Output



AnaSem Holdings inc

6-18-12 Maehara Higashi Funabashi Chiba Japan
 TEL+81-47-470-5810 FAX+81-47-470-5825
 Home Page:<http://www.anasemholdings.com>
 E-mail:anasemholdings@gmail.com