

Crystal Oscillators

SPXO/LVDS/SMD Clock Oscillator

25.000MHz/1.8V/AS25000SDLD

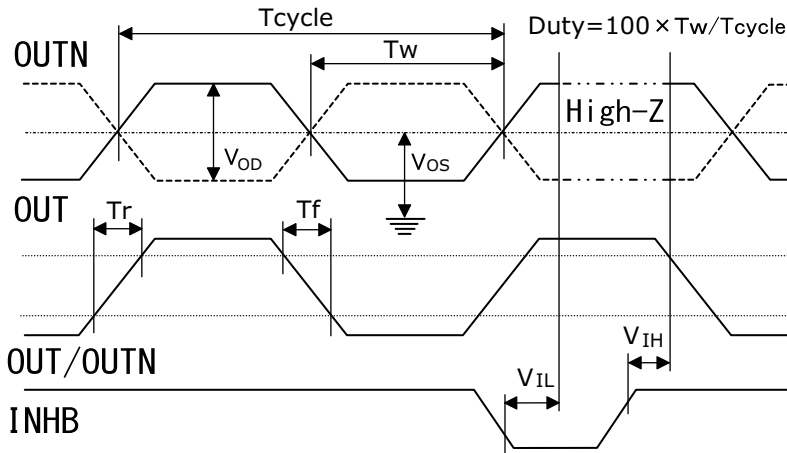
■ 特長 Features

- 動作電圧範囲/Operating Voltage Range : 1.8V±5%
- 消費電流/Power Consumption : typ:9mA/1.8V
- 出力周波数偏差/Output Frequency Deviation : ±20ppm/1.8V±5%/-40~+85°C
- 差動出力電圧/Differential Output Voltage Magnitude : 200mV~450mV
- 差動出力電圧誤差/Differential Output Voltage Magnitude Change : ±50mV
- オフセット電圧/Output Offset Voltage : 0.810V~1.375V
- オフセット電圧誤差/Output Offset Voltage Change : ±50mV
- 動作温度範囲/Operating Temperature : -40~+85°C
- SMDセラミックパッケージ/SMD Ceramic Package : 7×5×1.7mm

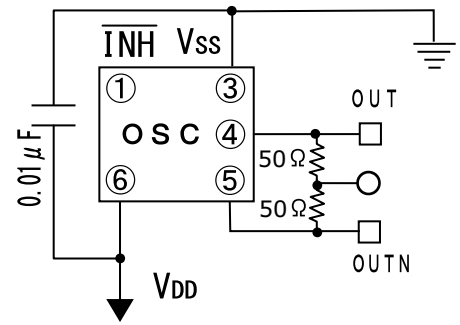
■ 電気的特性 Specifications

| 項目 ITEM | 型名 TYPE | AS25000SDLD |
|--|---------|---|
| Output Frequency 出力周波数 | | 25.000MHz |
| Frequency Stability 周波数安定度 | | ±20ppm/-40~+85°C/1.8V±5% |
| Power Supply Voltage 電源電圧 | | 1.8V±5% |
| Power Consumption (No Load) 消費電流 (無負荷) | | typ:9mA/1.8V, max:12mA/1.8V |
| Standby Power Consumption (No Load) 出力停止消費電流 (無負荷) | | typ:0.3mA/1.8V, max:0.5mA/1.8V |
| Differential Output Voltage Magnitude 差動出力電圧 | | min:200mV typ:290mV max:454mV |
| Differential Output Voltage Magnitude Change 差動出力電圧誤差 | | min:-50mV max:+50mV |
| Output Offset Voltage オフセット電圧 | | min:0.810V typ:0.950V max:1.375V |
| Output Offset Voltage Change オフセット電圧誤差 | | min:-50mV max:+50mV |
| Operating Temperature Range 動作温度範囲 | | -40~+85°C |
| Storage Temperature Range 保存温度範囲 | | -50~+125°C |
| Output Symmetry 出力波形対称性 | | 45% to 55% (at Offset) /1.8V/25°C |
| Rise Time/Fall Time 立ち上がり、立ち下がり時間 | | 1.0nS typ(0.2~0.8Vout) /2.0nS max(0.8~0.2Vout) |
| Input Level 入力レベル | | V _{IH} :0.9V _{dd} min/V _{IL} :0.1V _{dd} max |
| Assembly Temperature Range 実装温度条件 | | Peak Temperature 255°C±5°C for 5seconds max. Maximum Temperature: 260°C |

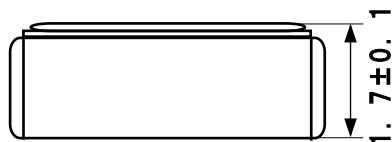
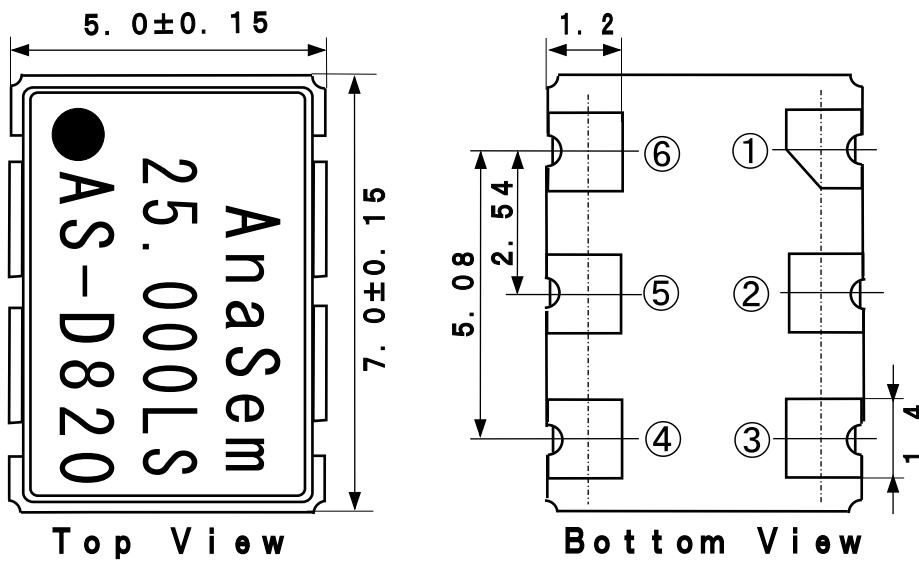
■ 出力波形 Output Waveform



■ 測定回路 Measurement Circuit



■ 外形寸法 Dimensions



(Unit: mm)

■ 接続端子 Pin Connections

| | |
|---|------------------|
| ① | \overline{INH} |
| ② | NC |
| ③ | V_{SS} |
| ④ | OUT |
| ⑤ | OUTN |
| ⑥ | V_{DD} |

| / INHIBIT | |
|----------------|-------------------|
| "L" Level | Open or "H" Level |
| High Impedance | Enable: Output |

■ マーキング Marking

AS-D820

↓ ↓ ↓
a b c

| | |
|---|--|
| a | Maker/ID: AS=AnaSem. InC |
| b | Product Version/D:D Version |
| c | Production Week&Year: 820/20th week/2008 |

製造元: アナセムホールディングス株式会社
Maker: AnaSem Holdings, Inc

〒274-0824 船橋市前原東6丁目18-12

6-18-12 Maehara Higashi Funabashi Chiba Japan

TEL (047) 476-2768 FAX 476-2758

H P: <http://www.anasemholdings.com>

E-mail: anasemholdings@gmail.com