



Crystal Oscillators

VCXO/SMD Clock Oscillator

27.000MHz/±110ppm/AS27000VDA

■ 特長

- 周波数可変範囲 : ±110ppm/V_c=1.65V±1.65V
- 周波数安定度 : ±30ppm/-20~70°C, V_{dd}=3.3V±5%
- 低消費電流 : 7mA/27MHz/3.3V
- 動作電圧範囲 : 3.3V±5%
- セラミックパッケージ (7×5×1.7mm)
- 出力デューティ : 45~55%/25°C

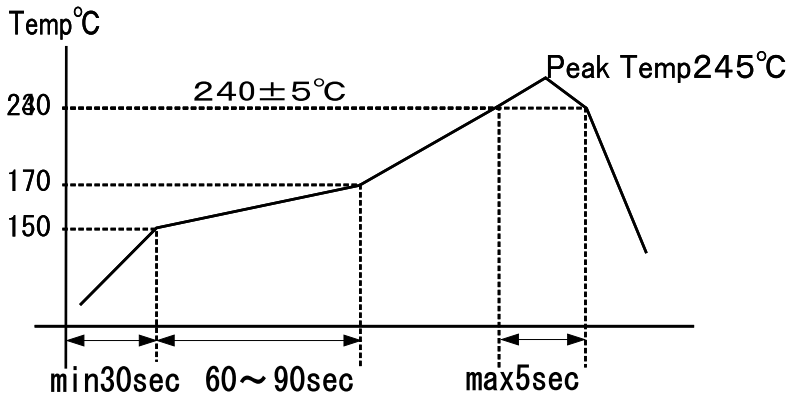
■ Features

- Frequency Deviation Range
- Frequency Stability: ±30ppm
- Low Power Consumption: 7mA/3.3V
- Operating Voltage: 3.3V±5%
- Ceramic Package (7×5×1.7mm)
- Output Duty: 45~55%/25°C

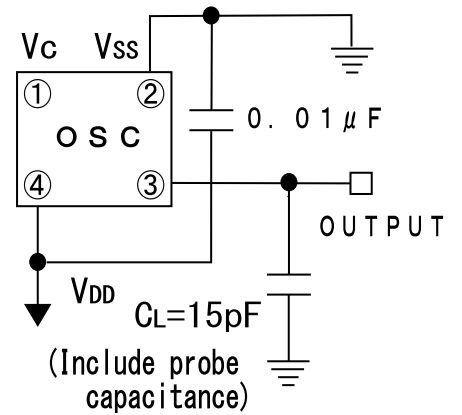
■ 電気的特性 Specifications

項目 ITEM	型名 TYPE	AS27000VDA
Output Frequency 出力周波数		27.000MHz
Frequency Deviation Range 周波数可変範囲		±110ppm min/V _c =1.65V±1.65V
Frequency Stability 周波数安定度		±30ppm min/-20~+70°C/3.3V±5%(Initial Deviation at 25°C included, V _c =1.65V, V _{dd} =3.3V)
Frequency Stability/Power Supply Voltage 電源電圧周波数変動		±3.0ppm max/3.3V±5% (Reference at 25°C, V _c =1.65V)
Frequency Tuning Voltage Range 公称周波数設定電圧偏差		V _t =1.65±0.3V/V _{DD} =3.3V/25±2°C
Operating Temperature Range 動作温度範囲		-20~+70°C
Storage Temperature Range 保存温度範囲		-40~+85°C
Power Supply Voltage 電源電圧		+3.3V±5%
Power Consumption(No Load) 消費電流 (無負荷)		typ: 7mA/3.3V, max: 9mA/3.3V
Output Symmetry 出力波形対称性		45% to 55% (at 1/2V _{DD})/3.3V/25°C
Rise Time/Fall Time 立ち上がり、立ち下がり時間		4.0nS max (0.3~3.0V)/4.0nS max (3.0~0.3V)
Output Load 出力負荷		15pF
Input Level 入力レベル		V _{IH} : +3.0V min/V _{IL} : +0.3V max
Output Level 出力レベル		V _{OH} : +3.0V min/V _{OL} : +0.3V max
Assembly Temperature Range 実装温度条件		Peak Temperature 240°C±5°C for 5seconds max. Maximum Temperature: 245°C

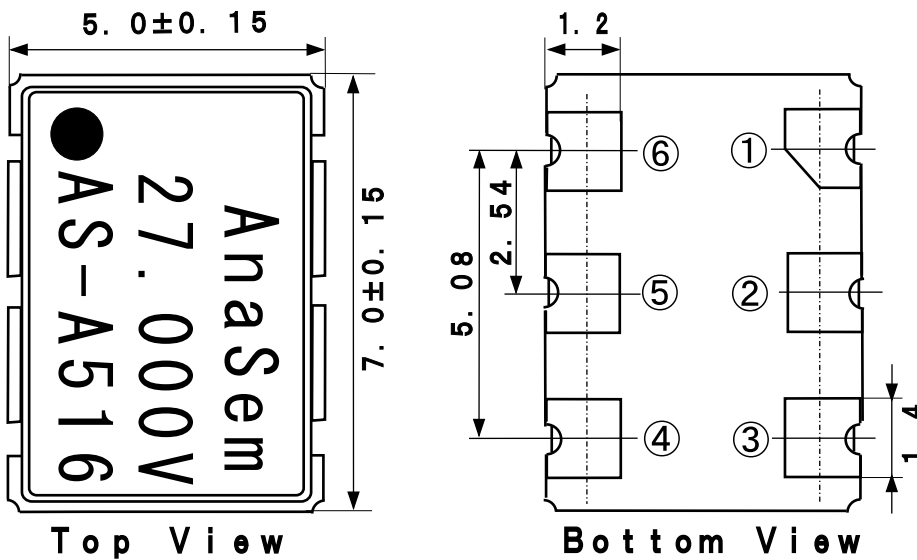
■ 推奨半田付け条件 / Recommended Reflow Soldering Condition



■ 測定回路 Measurement Circuit

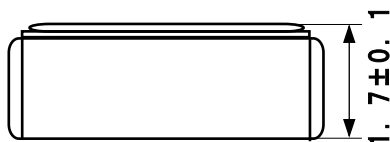


■ 外形寸法 Dimensions



■ 接続端子 Pin Connections

①	V _c
②	$\overline{\text{INH}}$
③	GND (V _{ss})
④	OUTPUT
⑤	NC
⑥	+3.3V (V _{DD})

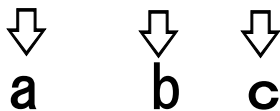


(Unit: mm)

/ INHIBIT	
"L" Level	Open or "H" Level
High Impedance	Enable: Output

■ マーキング Marking

AS-A516



a	Maker/ID: AS=AnaSem. InC
b	Product Version/A: A Version
c	Production Week&Year: 516/16th week/2005

製造元: アナセムホールディングス株式会社
 Maker: AnaSem Holdings, Inc

〒274-0824 船橋市前原東6丁目18-12
 6-18-12 Maehara Higashi Funabashi Chiba Japan
 TEL (047) 476-2768 FAX 476-2758
 H P: <http://www.anasemholdings.com>
 E-mail: anasemholdings@gmail.com