



Crystal Oscillators

OC-VCXO/16pin7050SMD/APR±100ppm/fo±1ppm
27.000MHz/3.3V/AS27000VOA

Description

AS27000VOA is Oven Controlled Voltage Controlled Crystal Oscillator(OCVCXO) of the 16pin SMD 7×5×1.85mm package. OCXO Series can be output to 6-160MHz by Operating Voltage:3.3V(Oscillation and Oven Heaterw)in the same power supply. As for the frequency stability level, ±1ppm is -20~+70°C possible.

Feature

- 7×5×1.85mm SMD 16pin PKG
- Frequency stability:±3ppm/-20~+70°C/3.3V±5%
- Frequency short term stability:Warm up/30sec
- Low Jitter:≤1psec RMS
- Low Phase Noise:140dB/1KHz,155dB/10KHz
- Low power consumption:60mA/3.3V
- Operating temperature : -20~+70°C,-40~+85°C

Applications ■ Product Number: AS27000VOA

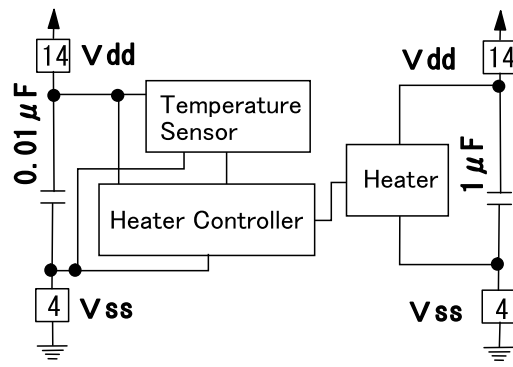
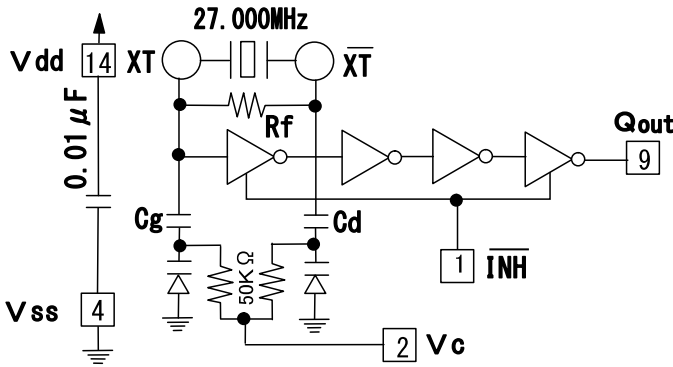
- HDTV-Recoder
- HDTV-Camera
- HDTV-Exchanger
- HDTV-MPEG2

AS	27000	VO:Function Series	Package	A:Version
Compy Code	Frequency 27.000MHz (6~160MHz)	V:SMD VCXO O:SMD OCXO	16Lead SMD:7×5 ×1.85mm	A:-20~70°C fo±1ppm APR:±100ppm

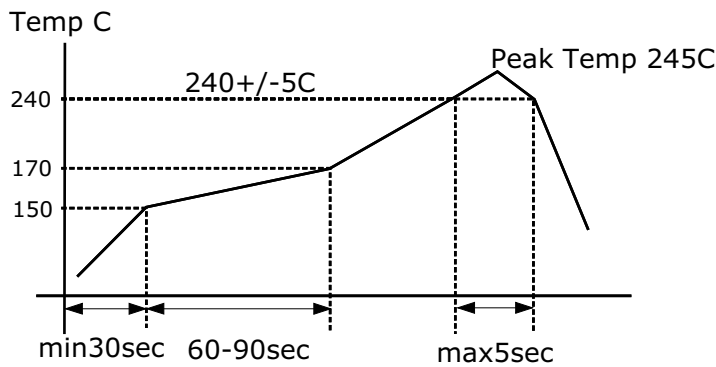
Specifications

ITEMS	TYPE	AS27000VOA
Output Frequency:		27.000MHz
Frequency Stability/25°C		±1ppm/25°C=3.3V/Vc=1.65V
Frequency Temperature Stability/-20~70°C		±2ppm/-20°C~+70°C/3.3V±5%
Warm-up time		≤30sec.to±1ppm/final frequency/25°C/3.3V
Absolute Pulling Range(=Pullability-Stability)		±100ppm min/Vc=1.65V±1.65V
Phase Noise		Typ:-80dBc/10Hz,-140dBc/1KHz,-155dBc/10KHz
Phase Jitter		Typ:≤125fsec
Power Consumption/Oscillation+Heater		Typ:50mA/3.3V,Max:60mA/3.3V
Power SupplyVoltage/Oscillation+Oven heater		3.3V±5%
Operating Temperature Range		-20 to +70°C
Storage Temperature Range		-40 to +85°C
Output Symmetry		45% to 55% (at 1/2VDD) /3.3V/25°C
Input Level		Min:VIH :+0.9Vdd, Max:VIL :+0.1Vdd
Output Level/CMOS		Min:VOH:+0.9Vdd, Max:VOL:+0.1Vdd
Output Load		15pF
Output Rise/Fall Time		5nsec max(0.3 to 3.0V)/5nsec max(3.0 to 0.3V)
Assembly Temperature Range		Peak Temperature 240C +/- 5C for 5 sec max.Maximum Temperature 245C

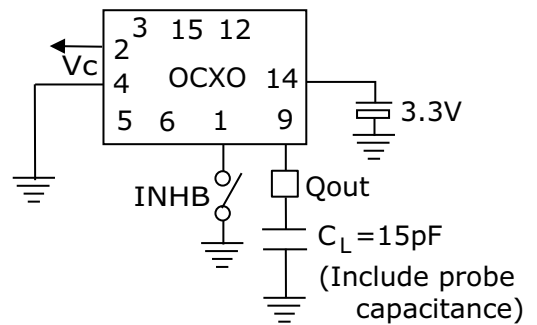
Block Diagram



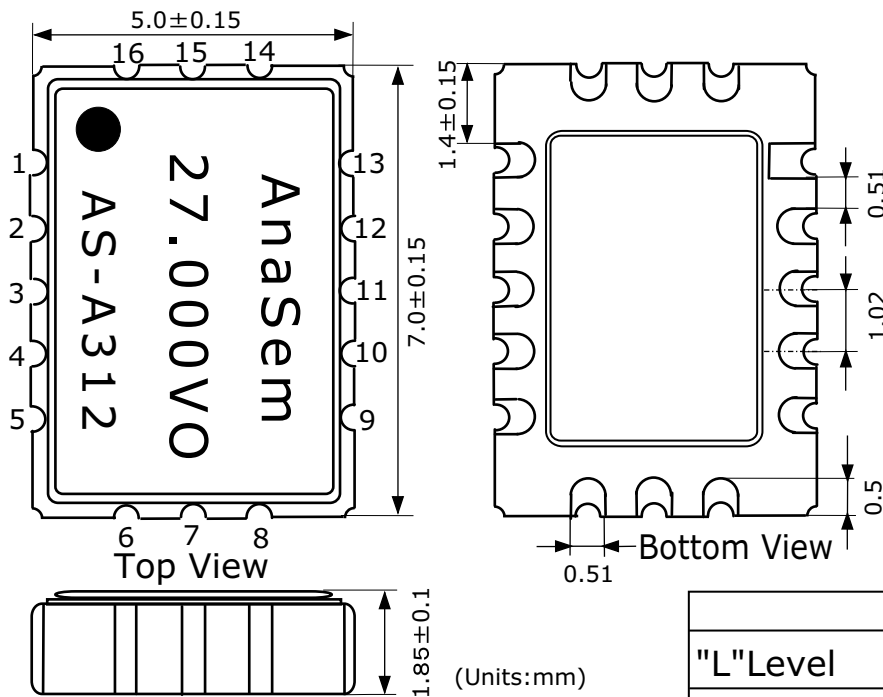
Recomended Reflow Soldering Condition



Measurement Circuit



Dimintions



Pin Connections

1	INH B
2	Vc
3	NC
4	Vss
5	NC
6	NC
7	NC
8	NC
9	Qout
10	NC
11	NC
12	NC
13	NC
14	Vdd
15	NC
16	NC

/INHIBIT	
"L"Level	Open or "H"Level
High Impedance	Enable:Output



AnaSem Holdings inc

6-18-12 Maehara Higashi Funabashi Chiba Japan
 TEL+81-47-470-5810 FAX+81-47-470-5825
 Home Page:<http://www.anasemholdings.com>
 E-mail:anasemholdings@gmail.com